



Energy
SAVERS
LOW-H₂O

TEMPO FREESTANDING

Warm power, simple style

- The Jaga classic for rooms with glazed façades. Efficient, freestanding Low H₂O technology.
- No wasteful heat loss from radiation through glazing.
- Light, compact and easy to handle packaging.
- Suitable for integrated valve.
- Low-H₂O technology with super conductive and ultra fast heat exchanger for low energy consumption and maximum heat emission.
- Twin Power for better compensation of the downward cold air flow next to glazed façades or ventilation grilles.
- Safe surface temperature.
- **A 30 year guarantee** on the heat exchanger.

Also available as a wall mounted model.
See page 38.

TEMPO FREESTANDING white 101 (RAL 9010)



LOW-H₂O
SELECTED AS
THE MOST
ECONOMICAL
RADIATOR



TEMPO FREESTANDING

TEMPO FREESTANDING

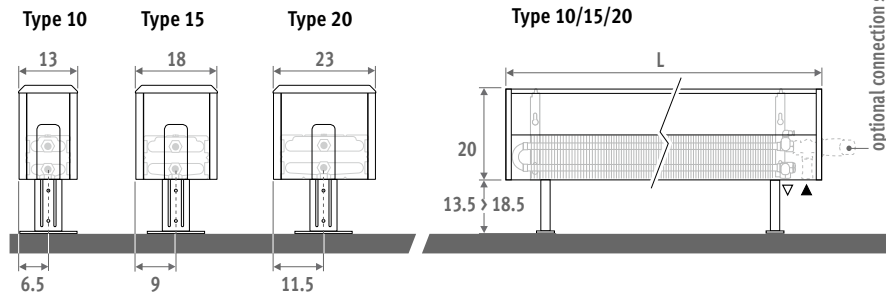
EN 442

55/45

30 YEAR GUARANTEE HEAT EXCHANGER

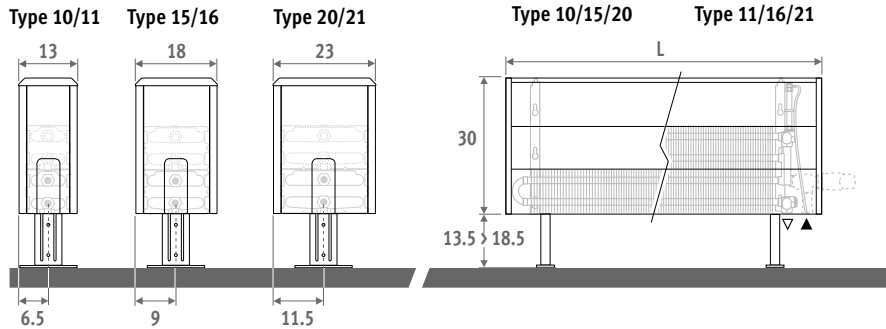
DIMENSIONS (in cm)

HEIGHT 020

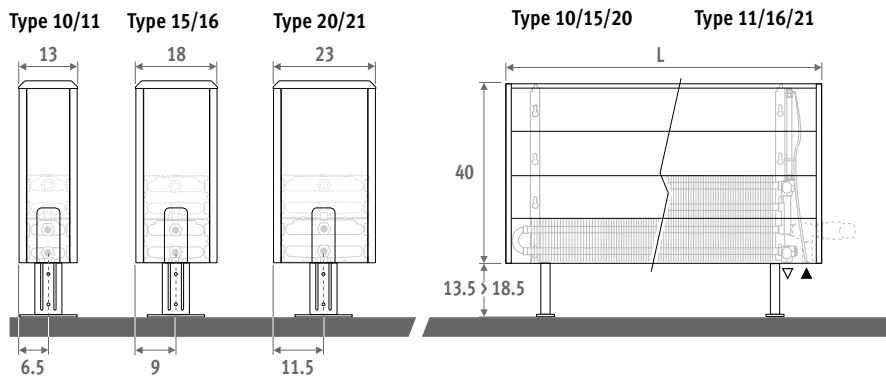


Also available as a wall mounted model. See page 38.

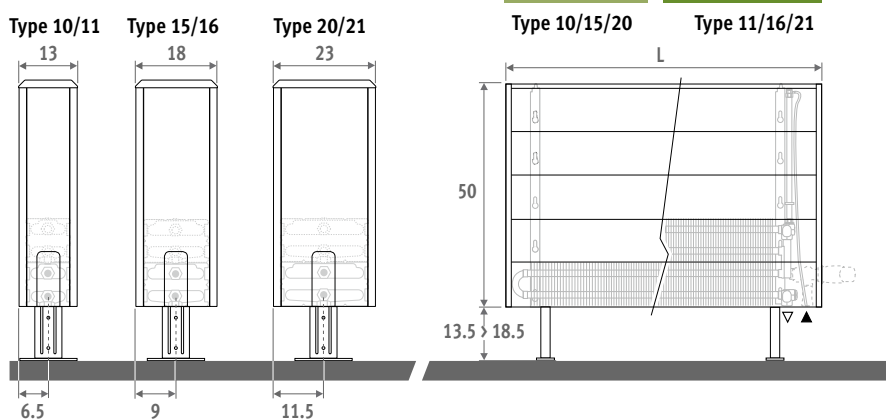
HEIGHT 030



HEIGHT 040



HEIGHT 050



TEMPO FREESTANDING



DELIVERY

Light and easily installed by one person. Delivered flat packed in 2 packages for ease of handling and storage.

standard delivery:

- Low-H₂O heat exchanger with air vent elbow (standard) or extended air vent (twin) 1/8" and drain plug 1/2"
- easy to mount casing with one closed side panel and one open panel for TRV head. The side panels can be mounted both left or right.
- standard adjustable feet in neutral grey

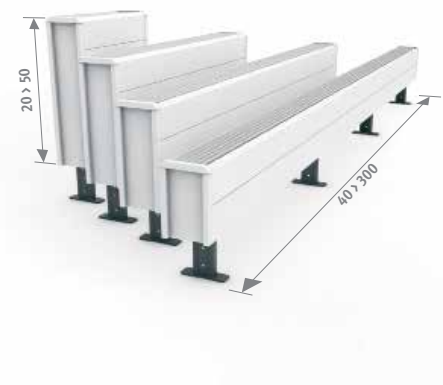
COLOUR

Scratch-resistant surface coating with a soft structured, satin gloss finish. High UV resistance.

Standard colour: white RAL 9010 (101)

CONNECTION

Standard connection: bottom end left or right



OPTIONS

Feet in the same colour as the casing

For feet in the same colour as the casing, repeat the colour code after the code of the radiator.

Ex.: TEMF. HHH LLL TT.101/101

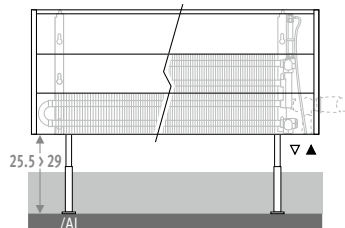
| Surcharge | | € |
|---------------|--------|-------|
| Length casing | | |
| 040 > 120 | 2 feet | 16,00 |
| 140 > 220 | 3 feet | 24,00 |
| 240 > 300 | 4 feet | 32,00 |

Extended adjustable feet

- For installation on a rough subfloor or computer floor.
- For extended feet in neutral grey, add /AL to the ordering code.
- For extended feet in the same colour as the casing, add /AL to the ordering code and repeat the colour code.

Ex.: TEMF. 020 040 10.101/AL/101

| Surcharge | | € | € |
|---------------|--------|-------|--------|
| Length casing | | grey | colour |
| 040 > 120 | 2 feet | 7,20 | 26,70 |
| 140 > 220 | 3 feet | 10,80 | 40,10 |
| 240 > 300 | 4 feet | 14,30 | 53,50 |



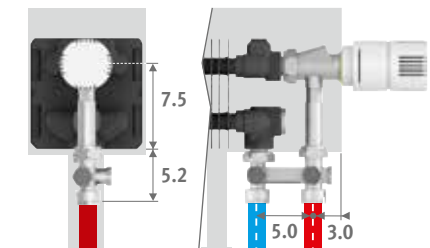
ORDERING CODE

| code | height | length | type | colour |
|---------------------|--------|--------|------|--------|
| TEMF . | 020 | 040 | 10 . | XXX |
| fill in colour code | | | | |

CONNECTION SETS

Jaga H-valve to the floor for one or two pipe

TRV head and sleeve couplings Eurocone 3/4" included.



| set 104 | CODE 1-PIPE/2-PIPE | € |
|------------------------------|---------------------------|-------|
| | COLO.HBSF.JC.4... | 82,50 |
| | COLO.HBSF.JW.4... | 72,80 |
| fill in sleeve coupling code | | |
| | Precision metal tube 14/1 | 114 |
| | Precision metal tube 15/1 | 115 |
| | Precision metal tube 16/1 | 116 |
| | RPE/ALU tube 16/2 | 616 |

Other connection sets and sleeve couplings

See chapter "Connection sets and valves" for all connection options and technical information



TEMPO FREESTANDING

TEMF.HHH LLL TT.101

| | STANDARD | | | |
|----------|--------------|-------|-------|--------|
| | Type | Watts | Watts | € |
| | | 75/65 | 55/45 | |
| L | H 020 | | | |
| 040 | 10 | 262 | 127 | 158,10 |
| | 15 | 436 | 212 | 180,10 |
| | 20 | 613 | 299 | 203,30 |
| 050 | 10 | 328 | 159 | 168,70 |
| | 15 | 545 | 265 | 194,60 |
| | 20 | 766 | 373 | 220,60 |
| 060 | 10 | 393 | 191 | 179,50 |
| | 15 | 654 | 319 | 208,90 |
| | 20 | 919 | 448 | 238,80 |
| 070 | 10 | 459 | 223 | 201,40 |
| | 15 | 763 | 372 | 236,90 |
| | 20 | 1072 | 522 | 274,20 |
| 080 | 10 | 524 | 255 | 212,10 |
| | 15 | 872 | 425 | 251,80 |
| | 20 | 1226 | 597 | 292,80 |
| 090 | 10 | 590 | 287 | 224,10 |
| | 15 | 981 | 478 | 267,60 |
| | 20 | 1379 | 672 | 312,80 |
| 100 | 10 | 655 | 318 | 243,40 |
| | 15 | 1090 | 531 | 291,70 |
| | 20 | 1532 | 746 | 343,90 |
| 110 | 10 | 721 | 350 | 255,90 |
| | 15 | 1199 | 584 | 310,60 |
| | 20 | 1685 | 821 | 365,20 |
| 120 | 10 | 786 | 382 | 266,30 |
| | 15 | 1308 | 637 | 324,30 |
| | 20 | 1838 | 895 | 384,00 |
| 140 | 10 | 917 | 446 | 312,80 |
| | 15 | 1526 | 743 | 379,00 |
| | 20 | 2145 | 1045 | 468,80 |
| 160 | 10 | 1048 | 509 | 354,70 |
| | 15 | 1744 | 850 | 436,60 |
| | 20 | 2451 | 1194 | 543,70 |
| 180 | 10 | 1179 | 573 | 380,90 |
| | 15 | 1962 | 956 | 471,90 |
| | 20 | 2758 | 1343 | 587,50 |
| 200 | 10 | 1310 | 637 | 411,10 |
| | 15 | 2180 | 1062 | 533,00 |
| | 20 | 3064 | 1493 | 636,30 |
| 220 | 10 | 1441 | 700 | 460,30 |
| | 15 | 2398 | 1168 | 601,50 |
| | 20 | 3370 | 1642 | 723,00 |
| 240 | 10 | 1572 | 764 | 507,10 |
| | 15 | 2616 | 1274 | 658,50 |
| | 20 | 3677 | 1791 | 789,90 |
| 260 | 10 | 1703 | 827 | 535,10 |
| | 15 | 2834 | 1381 | 696,70 |
| | 20 | 3983 | 1940 | 837,90 |
| 280 | 10 | 1834 | 891 | 570,60 |
| | 15 | 3052 | 1487 | 741,70 |
| | 20 | 4290 | 2090 | 892,60 |
| 300 | 10 | 1965 | 955 | 596,60 |
| | 15 | 3270 | 1593 | 776,60 |
| | 20 | 4596 | 2239 | 937,50 |

| | STANDARD | | | |
|----|--------------|-------|--------|--------|
| | Type | Watts | Watts | € |
| | | 75/65 | 55/45 | |
| | H 030 | | | |
| 10 | 330 | 161 | 171,70 | |
| | 15 | 544 | 267 | 193,80 |
| | 20 | 762 | 373 | 216,60 |
| 10 | 413 | 202 | 183,20 | |
| | 15 | 680 | 333 | 208,90 |
| | 20 | 953 | 467 | 234,90 |
| 10 | 496 | 242 | 196,00 | |
| | 15 | 815 | 399 | 225,20 |
| | 20 | 1144 | 561 | 255,10 |
| 10 | 578 | 282 | 219,90 | |
| | 15 | 951 | 466 | 255,30 |
| | 20 | 1334 | 654 | 292,50 |
| 10 | 661 | 323 | 231,50 | |
| | 15 | 1087 | 533 | 271,20 |
| | 20 | 1525 | 747 | 312,30 |
| 10 | 743 | 363 | 245,60 | |
| | 15 | 1223 | 599 | 289,00 |
| | 20 | 1715 | 841 | 334,00 |
| 10 | 826 | 403 | 266,90 | |
| | 15 | 1359 | 666 | 315,40 |
| | 20 | 1906 | 934 | 367,40 |
| 10 | 909 | 444 | 281,60 | |
| | 15 | 1495 | 733 | 336,10 |
| | 20 | 2097 | 1028 | 390,70 |
| 10 | 991 | 484 | 292,70 | |
| | 15 | 1631 | 799 | 350,70 |
| | 20 | 2287 | 1121 | 410,50 |
| 10 | 1156 | 565 | 345,20 | |
| | 15 | 1903 | 933 | 411,40 |
| | 20 | 2668 | 1308 | 500,60 |
| 10 | 1322 | 646 | 390,10 | |
| | 15 | 2174 | 1066 | 471,90 |
| | 20 | 3050 | 1495 | 579,00 |
| 10 | 1487 | 726 | 419,90 | |
| | 15 | 2446 | 1199 | 511,00 |
| | 20 | 3431 | 1682 | 626,40 |
| 10 | 1652 | 807 | 455,50 | |
| | 15 | 2718 | 1332 | 577,20 |
| | 20 | 3812 | 1868 | 680,30 |
| 10 | 1817 | 887 | 507,40 | |
| | 15 | 2990 | 1465 | 648,80 |
| | 20 | 4193 | 2055 | 769,90 |
| 10 | 1982 | 968 | 558,90 | |
| | 15 | 3262 | 1599 | 710,40 |
| | 20 | 4574 | 2242 | 841,50 |
| 10 | 2148 | 1049 | 590,00 | |
| | 15 | 3533 | 1732 | 751,50 |
| | 20 | 4956 | 2429 | 892,50 |
| 10 | 2313 | 1130 | 630,30 | |
| | 15 | 3805 | 1865 | 801,40 |
| | 20 | 5337 | 2616 | 951,80 |
| 10 | 2478 | 1210 | 659,10 | |
| | 15 | 4077 | 1998 | 839,20 |
| | 20 | 5718 | 2802 | 999,80 |

| | TWIN | | | |
|----|------|-------|--------|---------|
| | Type | Watts | Watts | € |
| | | 75/65 | 55/45 | |
| 11 | 448 | 215 | 249,00 | |
| | 16 | 592 | 281 | 284,20 |
| | 21 | 779 | 368 | 298,40 |
| 11 | 561 | 269 | 266,50 | |
| | 16 | 740 | 352 | 307,60 |
| | 21 | 974 | 460 | 324,80 |
| 11 | 673 | 323 | 283,70 | |
| | 16 | 888 | 422 | 330,90 |
| | 21 | 1169 | 552 | 352,50 |
| 11 | 785 | 376 | 319,80 | |
| | 16 | 1036 | 492 | 378,20 |
| | 21 | 1364 | 644 | 406,20 |
| 11 | 897 | 430 | 337,60 | |
| | 16 | 1184 | 563 | 402,50 |
| | 21 | 1558 | 736 | 434,50 |
| 11 | 1009 | 484 | 356,20 | |
| | 16 | 1332 | 633 | 428,90 |
| | 21 | 1753 | 828 | 464,10 |
| 11 | 1121 | 537 | 387,90 | |
| | 16 | 1480 | 703 | 469,30 |
| | 21 | 1948 | 920 | 511,90 |
| 11 | 1233 | 591 | 408,40 | |
| | 16 | 1628 | 774 | 497,80 |
| | 21 | 2143 | 1012 | 544,10 |
| 11 | 1345 | 645 | 425,40 | |
| | 16 | 1776 | 844 | 521,90 |
| | 21 | 2338 | 1105 | 572,40 |
| 11 | 1569 | 752 | 491,10 | |
| | 16 | 2072 | 985 | 601,40 |
| | 21 | 2727 | 1288 | 694,40 |
| 11 | 1794 | 860 | 560,30 | |
| | 16 | 2368 | 1126 | 696,90 |
| | 21 | 3117 | 1473 | 808,10 |
| 11 | 2018 | 967 | 602,90 | |
| | 16 | 2664 | 1266 | 754,90 |
| | 21 | 3506 | 1656 | 874,70 |
| 11 | 2242 | 1074 | 650,50 | |
| | 16 | 2960 | 1407 | 857,10 |
| | 21 | 3896 | 1841 | 947,40 |
| 11 | 2466 | 1182 | 731,20 | |
| | 16 | 3256 | 1548 | 971,30 |
| | 21 | 4286 | 2025 | 1078,50 |
| 11 | 2690 | 1289 | 798,60 | |
| | 16 | 3552 | 1688 | 1055,40 |
| | 21 | 4675 | 2209 | 1173,10 |
| 11 | 2915 | 1397 | 843,80 | |
| | 16 | 3848 | 1829 | 1117,80 |
| | 21 | 5065 | 2393 | 1245,00 |
| 11 | 3139 | 1504 | 897,50 | |
| | 16 | 4144 | 1970 | 1187,90 |
| | 21 | 5454 | 2577 | 1325,10 |
| 11 | 3363 | 1612 | 940,20 | |
| | 16 | 4440 | 2110 | 1245,80 |
| | 21 | 5844 | 2761 | 1393,50 |

EN442 output at 20°C room temperature

TEMPO FREESTANDING

TEMF.HHH LLL TT.101



| | STANDARD | | | | TWIN | | | | | STANDARD | | | | TWIN | | | |
|------------|--------------|----------------|----------------|---------|------|----------------|----------------|---------|-----------|----------|----------------|----------------|----|------|----------------|----------------|---|
| | Type | Watts 75/65 | Watts 55/45 | € | Type | Watts 75/65 | Watts 55/45 | € | | Type | Watts 75/65 | Watts 55/45 | € | Type | Watts 75/65 | Watts 55/45 | € |
| L | H 040 | | | | | | | | | | | | | | | | |
| 040 | 10 | 385 | 189 | 184,60 | 11 | 506 | 243 | 261,90 | 10 | 430 | 212 | 199,70 | 11 | 554 | 266 | 277,00 | |
| | 15 | 627 | 309 | 209,70 | 16 | 680 | 323 | 300,30 | 15 | 694 | 344 | 226,50 | 16 | 759 | 359 | 317,00 | |
| | 20 | 878 | 433 | 233,80 | 21 | 910 | 428 | 315,50 | 20 | 970 | 481 | 252,20 | 21 | 1033 | 484 | 333,60 | |
| 050 | 10 | 482 | 236 | 197,20 | 11 | 632 | 303 | 280,40 | 10 | 538 | 265 | 212,90 | 11 | 693 | 332 | 296,20 | |
| | 15 | 784 | 386 | 225,80 | 16 | 850 | 403 | 324,80 | 15 | 867 | 430 | 243,10 | 16 | 949 | 449 | 342,10 | |
| | 20 | 1098 | 541 | 252,90 | 21 | 1137 | 535 | 342,90 | 20 | 1213 | 602 | 272,00 | 21 | 1291 | 605 | 361,70 | |
| 060 | 10 | 578 | 284 | 212,10 | 11 | 758 | 363 | 299,70 | 10 | 646 | 318 | 230,10 | 11 | 832 | 399 | 317,80 | |
| | 15 | 941 | 464 | 244,30 | 16 | 1020 | 484 | 350,20 | 15 | 1040 | 516 | 263,80 | 16 | 1139 | 539 | 369,70 | |
| | 20 | 1318 | 650 | 275,20 | 21 | 1364 | 641 | 372,60 | 20 | 1455 | 722 | 296,50 | 21 | 1549 | 725 | 393,60 | |
| 070 | 10 | 674 | 331 | 237,90 | 11 | 885 | 424 | 337,60 | 10 | 753 | 371 | 257,60 | 11 | 970 | 465 | 357,50 | |
| | 15 | 1098 | 541 | 276,50 | 16 | 1190 | 564 | 399,20 | 15 | 1214 | 602 | 297,80 | 16 | 1329 | 629 | 420,50 | |
| | 20 | 1537 | 758 | 314,40 | 21 | 1592 | 749 | 428,20 | 20 | 1698 | 842 | 337,70 | 21 | 1807 | 846 | 451,10 | |
| 080 | 10 | 770 | 378 | 250,60 | 11 | 1011 | 485 | 356,40 | 10 | 861 | 424 | 271,50 | 11 | 1109 | 532 | 377,30 | |
| | 15 | 1254 | 618 | 293,20 | 16 | 1360 | 645 | 424,70 | 15 | 1387 | 688 | 315,60 | 16 | 1518 | 719 | 447,20 | |
| | 20 | 1757 | 866 | 335,40 | 21 | 1819 | 855 | 457,50 | 20 | 1940 | 962 | 359,40 | 21 | 2066 | 968 | 481,50 | |
| 090 | 10 | 867 | 425 | 266,40 | 11 | 1138 | 546 | 376,90 | 10 | 968 | 477 | 289,20 | 11 | 1247 | 598 | 399,90 | |
| | 15 | 1411 | 695 | 313,00 | 16 | 1530 | 726 | 452,90 | 15 | 1561 | 774 | 337,30 | 16 | 1708 | 809 | 477,30 | |
| | 20 | 1976 | 974 | 359,10 | 21 | 2047 | 963 | 488,90 | 20 | 2183 | 1083 | 385,20 | 21 | 2324 | 1088 | 515,00 | |
| 100 | 10 | 963 | 472 | 289,90 | 11 | 1264 | 606 | 410,70 | 10 | 1076 | 530 | 314,80 | 11 | 1386 | 665 | 435,70 | |
| | 15 | 1568 | 773 | 341,30 | 16 | 1700 | 806 | 495,30 | 15 | 1734 | 860 | 367,80 | 16 | 1898 | 898 | 521,80 | |
| | 20 | 2196 | 1083 | 394,40 | 21 | 2274 | 1069 | 538,90 | 20 | 2425 | 1203 | 422,60 | 21 | 2582 | 1209 | 567,10 | |
| 110 | 10 | 1059 | 520 | 306,80 | 11 | 1390 | 666 | 433,30 | 10 | 1184 | 584 | 333,70 | 11 | 1525 | 732 | 460,50 | |
| | 15 | 1725 | 850 | 364,20 | 16 | 1870 | 887 | 526,20 | 15 | 1907 | 946 | 392,90 | 16 | 2088 | 988 | 554,90 | |
| | 20 | 2416 | 1191 | 419,80 | 21 | 2501 | 1176 | 573,20 | 20 | 2668 | 1323 | 450,20 | 21 | 2840 | 1330 | 603,50 | |
| 120 | 10 | 1156 | 567 | 318,80 | 11 | 1517 | 727 | 451,30 | 10 | 1291 | 636 | 346,60 | 11 | 1663 | 798 | 479,40 | |
| | 15 | 1882 | 928 | 379,80 | 16 | 2040 | 968 | 551,10 | 15 | 2081 | 1032 | 409,20 | 16 | 2278 | 1078 | 580,50 | |
| | 20 | 2635 | 1299 | 440,40 | 21 | 2729 | 1283 | 602,20 | 20 | 2910 | 1443 | 471,50 | 21 | 3098 | 1451 | 633,30 | |
| 140 | 10 | 1348 | 661 | 376,80 | 11 | 1770 | 849 | 522,60 | 10 | 1506 | 742 | 410,40 | 11 | 1940 | 931 | 556,30 | |
| | 15 | 2195 | 1082 | 447,00 | 16 | 2380 | 1129 | 637,50 | 15 | 2428 | 1204 | 482,50 | 16 | 2657 | 1258 | 672,90 | |
| | 20 | 3074 | 1516 | 537,40 | 21 | 3184 | 1497 | 731,30 | 20 | 3395 | 1684 | 575,30 | 21 | 3615 | 1693 | 769,00 | |
| 160 | 10 | 1541 | 756 | 424,70 | 11 | 2022 | 969 | 594,70 | 10 | 1722 | 849 | 461,10 | 11 | 2218 | 1064 | 631,60 | |
| | 15 | 2509 | 1237 | 510,70 | 16 | 2720 | 1290 | 735,90 | 15 | 2774 | 1376 | 549,20 | 16 | 3037 | 1438 | 774,50 | |
| | 20 | 3514 | 1733 | 618,50 | 21 | 3638 | 1711 | 847,60 | 20 | 3880 | 1924 | 659,50 | 21 | 4131 | 1935 | 888,50 | |
| 180 | 10 | 1733 | 850 | 458,70 | 11 | 2275 | 1091 | 641,20 | 10 | 1937 | 955 | 499,00 | 11 | 2495 | 1197 | 681,80 | |
| | 15 | 2822 | 1391 | 553,50 | 16 | 3060 | 1452 | 797,70 | 15 | 3121 | 1548 | 595,80 | 16 | 3416 | 1617 | 840,00 | |
| | 20 | 3953 | 1949 | 669,90 | 21 | 4093 | 1925 | 918,20 | 20 | 4365 | 2165 | 714,70 | 21 | 4648 | 2177 | 962,70 | |
| 200 | 10 | 1926 | 945 | 498,90 | 11 | 2528 | 1212 | 693,90 | 10 | 2152 | 1061 | 544,40 | 11 | 2772 | 1330 | 739,60 | |
| | 15 | 3136 | 1546 | 624,80 | 16 | 3400 | 1613 | 905,30 | 15 | 3468 | 1720 | 672,30 | 16 | 3796 | 1797 | 952,40 | |
| | 20 | 4392 | 2166 | 728,80 | 21 | 4548 | 2139 | 996,10 | 20 | 4850 | 2405 | 778,80 | 21 | 5164 | 2418 | 1045,50 | |
| 220 | 10 | 2119 | 1040 | 554,00 | 11 | 2781 | 1333 | 777,40 | 10 | 2367 | 1167 | 602,40 | 11 | 3049 | 1463 | 826,10 | |
| | 15 | 3450 | 1700 | 699,20 | 16 | 3740 | 1774 | 1022,20 | 15 | 3815 | 1892 | 749,60 | 16 | 4176 | 1977 | 1072,50 | |
| | 20 | 4831 | 2382 | 821,70 | 21 | 5003 | 2353 | 1130,20 | 20 | 5335 | 2646 | 874,40 | 21 | 5680 | 2660 | 1182,70 | |
| 240 | 10 | 2311 | 1134 | 610,40 | 11 | 3034 | 1455 | 849,50 | 10 | 2582 | 1273 | 663,30 | 11 | 3326 | 1596 | 902,80 | |
| | 15 | 3763 | 1855 | 766,80 | 16 | 4080 | 1935 | 1112,00 | 15 | 4162 | 2064 | 822,20 | 16 | 4555 | 2156 | 1167,60 | |
| | 20 | 5270 | 2599 | 898,80 | 21 | 5458 | 2567 | 1230,40 | 20 | 5820 | 2886 | 957,20 | 21 | 6197 | 2902 | 1288,50 | |
| 260 | 10 | 2504 | 1229 | 644,30 | 11 | 3286 | 1576 | 897,60 | 10 | 2798 | 1379 | 700,30 | 11 | 3604 | 1729 | 954,10 | |
| | 15 | 4077 | 2009 | 810,80 | 16 | 4420 | 2097 | 1177,30 | 15 | 4508 | 2236 | 869,40 | 16 | 4935 | 2336 | 1235,80 | |
| | 20 | 5710 | 2816 | 953,00 | 21 | 5912 | 2780 | 1305,20 | 20 | 6305 | 3127 | 1014,20 | 21 | 6713 | 3144 | 1366,40 | |
| 280 | 10 | 2696 | 1323 | 689,60 | 11 | 3539 | 1697 | 956,40 | 10 | 3013 | 1485 | 750,30 | 11 | 3881 | 1862 | 1017,50 | |
| | 15 | 4390 | 2164 | 865,30 | 16 | 4760 | 2258 | 1252,30 | 15 | 4855 | 2408 | 928,60 | 16 | 5314 | 2516 | 1315,70 | |
| | 20 | 6149 | 3032 | 1016,90 | 21 | 6367 | 2994 | 1390,20 | 20 | 6790 | 3367 | 1083,40 | 21 | 7230 | 3386 | 1456,20 | |
| 300 | 10 | 2889 | 1417 | 721,50 | 11 | 3792 | 1818 | 1002,00 | 10 | 3228 | 1591 | 785,10 | 11 | 4158 | 1995 | 1066,20 | |
| | 15 | 4704 | 2318 | 906,30 | 16 | 5100 | 2419 | 1313,30 | 15 | 5202 | 2580 | 972,70 | 16 | 5694 | 2695 | 1379,80 | |
| | 20 | 6588 | 3249 | 1068,00 | 21 | 6822 | 3208 | 1461,70 | 20 | 7275 | 3608 | 1137,30 | 21 | 7746 | 3628 | 1530,70 | |

EN442 output at 20°C room temperature