



jaga

MAXI

Energy
SAVERS
LOW-H₂O

BROCHURE € 2012-2013.EX





Energy
SAVERS
LOW-H₂O

MAXI

Powerful warmth
strong and safe

- Super strong casing with front panel made of 1.5 mm-thick steel 'U' profiles and sides with safe, rounded corners.
- Low-H₂O technology with super conductive and ultra fast heat exchanger for low energy consumption and maximum heat emission.
- Twin Power for better compensation of the downward cold air flow next to glazed façades or ventilation grilles.
- DBE model for super-low water temperatures starting at 30°C.
- Suitable for an integrated valve and concealed connection.
- Safe surface temperature.
- **A 30 year guarantee** on the heat exchanger.

MAXI aluminium 006 (RAL 9006) (non standard colour)



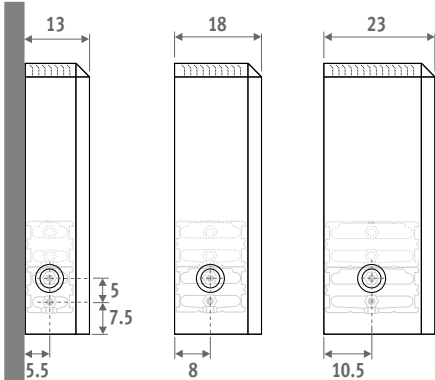


MAXI

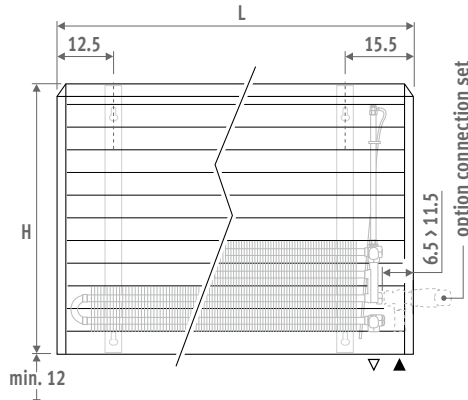


DIMENSIONS (in cm)

Type 10/11 Type 15/16 Type 20/21
MAXI WT • WALL TOP GRILL

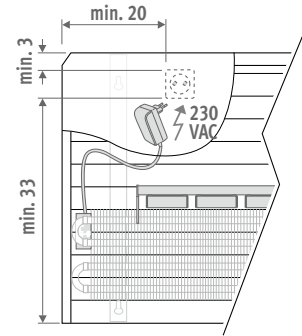


STANDARD **TWIN**
 Type 10/15/20 Type 11/16/21

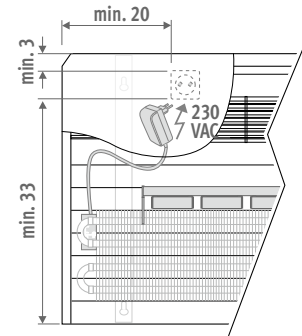
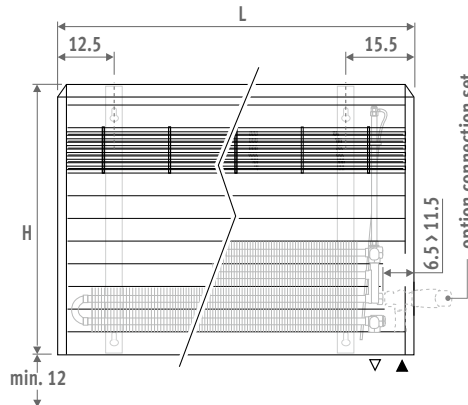
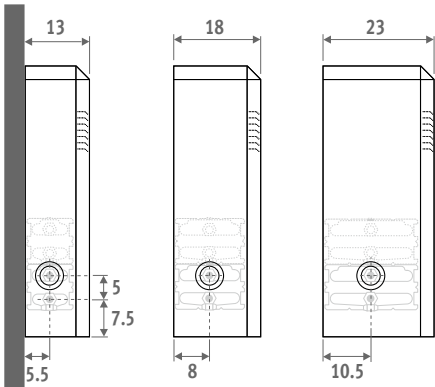


WITH DBE

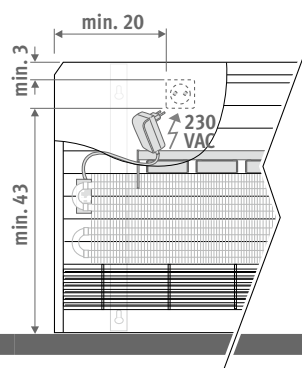
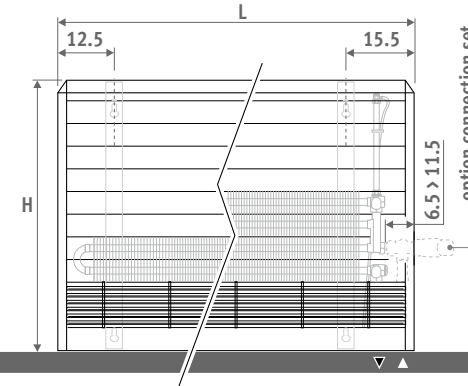
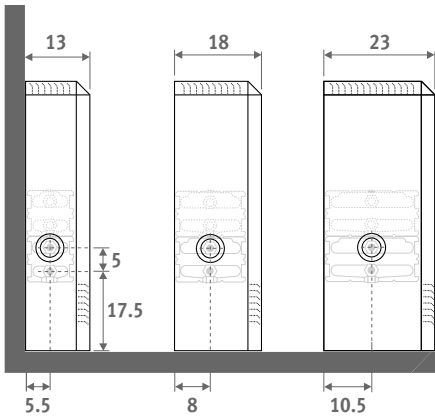
⚠ Plug socket or 12 V power supply required behind or alongside the radiator!



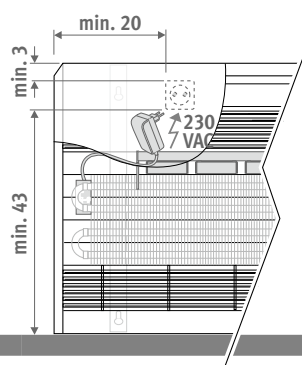
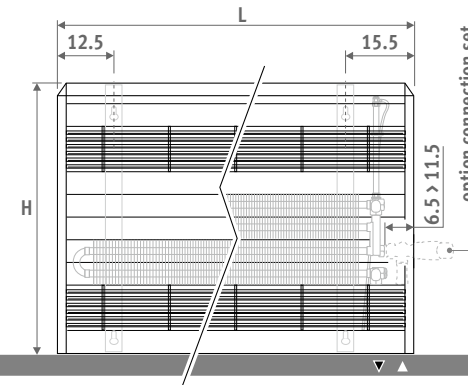
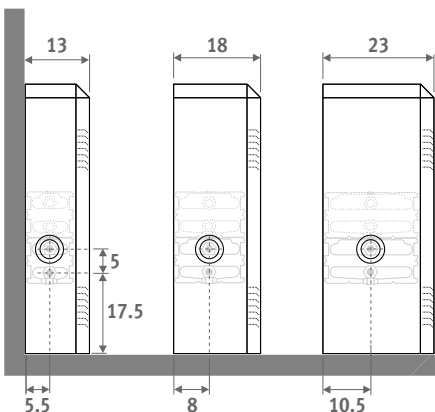
MAXI WF • WALL FRONT GRILL



MAXI FT • FLOOR TOP GRILL



MAXI FF • FLOOR FRONT GRILL



MAXI

DELIVERY

Delivered in a cardboard box, which can also be used as protection on site after installation.

Standard delivery:

- Low-H₂O heat exchanger with wall brackets, fixing kit, extended air vent 1/8" and drain plug 1/2"
- complete premounted casing for right handed bottom end connection

Delivery with DBE:

- number of DBE unit(s) varies according to the length
- operation, control and power supply 12VDC
- mounting instructions
- packed with the radiator

COLOURS

Scratch resistant finish with high UV resistance.

Standard colours:

- traffic white RAL 9016 (233), smooth glossy finish
- sandblast grey (001), fine texture metallic lacquer

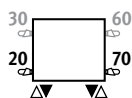
Other colours: see colour chart.

CONNECTION

Standard connection:

Bottom end left or right, to the wall or to the floor. Connection to the wall via the bottom side of the casing, or totally concealed within the casing, according to the valve or connection set chosen.

Optional high level valve: add to the code of the radiator /30 (left) or /60 (right)
Ex. MAXW.044 063 10.XXX/WF/60



High level valve details : see "Connection sets & Valves".

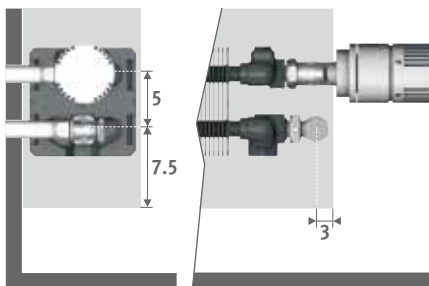
Optional remote controlled valve: add to the code of the radiator /00.

Ex. MAXW.044 063 10.XXX/WF/00
For valve set prices see chapter "Connection sets & valves"

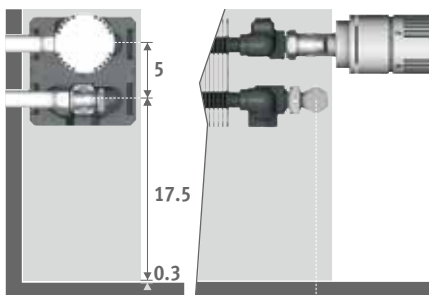
CONNECTION SETS



To the wall, totally concealed within the casing

MAXI WT/WF



MAXI FT/FF



set 25	CODE 2-PIPE	€
	COLO.SW2.JC.3...	58,75
	COLO.SW2.JW.3...	50,15
<i>fill in sleeve coupling code</i>		
	Copper 14/1	114
	Copper 15/1	115
	Copper 16/1	116
	RPE/ALU tube 16/2	316

Other connections:

See chapter "Connection sets and valves" for all connection options and technical information

ORDERING CODE

code height length type colour model conn.
MAXW. 044 063 10. XXX XX /70

fill in colour code ↙

- WT (Wall Top grill)
- WF (Wall Front grill)
- FT (Floor Top grill)
- FF (Floor Front grill)

ORDERING CODE WITH DBE

code height length type colour model conn. *Option*
MAXW. 044 063 10. XXX XX /70 /DBE

fill in colour code ↙ fill in model ↘

DBE should be selected according to the power in comfort mode, as stated in the price and output table.

The transition between standby (inactive) and comfort is managed automatically depending on the measured temperature and settings. For boost mode: see www.theradiatorfactory.com.



OPTIONS

More information and prices: see chapter "Parts & Options".

Pencil-proof grille

Unobtrusively positioned below the standard grille. Optional pencil-proof grille: to stop smaller objects or waste falling within the casing. Only for Maxi WT and FT.

Base grille

Screens the bottom of the casing. Only for Maxi WF and WT.

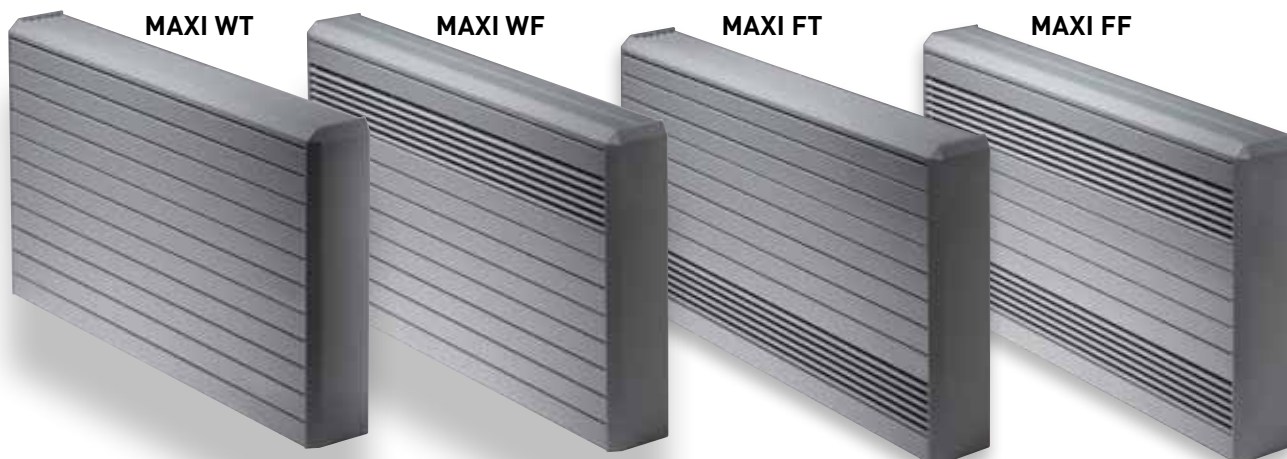
Locks

2 per casing: to ensure that the casing cannot be de-mounted without tools. For all models.

Safety screws

100 safety screws: as replacement for regular screws. Requires special tool for removal (security torx bit).

Maxi is also available in type 06: see www.theradiatorfactory.com



MAXI WT - WALL MOUNTED MODEL - TOP GRILLE

MAXW.HHH LLL TT.XXX/WT/70

STANDARD				
Type	Watts	Watts	€	€
	75/65	55/45	st. colour	other

TWIN				
Type	Watts	Watts	€	€
	75/65	55/45	st. colour	other

MAXW.HHH LLL TT.XXX/WT/70/DBE

WITH DBE					
Type	Watts	Watts	Watts	€	€
	75/65	55/45	35/30	st. colour	other

L H 044

063	10	637	313	347,60	395,70
	15	1034	511	376,40	426,10
	20	1446	715	406,20	457,50
083	10	840	413	379,70	430,20
	15	1362	673	417,50	469,90
	20	1905	941	457,20	511,40
103	10	1042	512	409,50	462,70
	15	1690	835	455,50	510,60
	20	2364	1168	504,10	561,10
123	10	1244	611	434,60	490,20
	15	2018	997	489,00	546,90
	20	2823	1395	545,20	605,20
143	10	1447	711	488,10	548,60
	15	2346	1159	549,00	611,70
	20	3282	1622	630,50	695,40
163	10	1649	810	527,30	590,20
	15	2674	1321	601,00	666,40
	20	3741	1849	697,00	764,70

11	828	397	421,20	469,30	
	16	1121	531	466,10	515,80
	21	1510	709	488,30	539,50
11	1091	523	469,50	520,00	
	16	1477	700	529,70	582,20
	21	1990	934	561,20	615,40
11	1354	649	512,50	565,80	
	16	1833	869	587,60	642,70
	21	2469	1159	627,80	684,80
11	1617	775	547,90	603,40	
	16	2189	1037	636,30	694,20
	21	2948	1384	684,30	744,40
11	1880	901	611,50	671,90	
	16	2545	1206	711,40	774,10
	21	3428	1610	795,90	860,80
11	2143	1027	671,90	734,80	
	16	2901	1375	794,10	859,50
	21	3907	1834	893,40	961,10

11	1128	677	282	635,50	683,60	
	16	1601	961	400	691,20	740,90
	21	1990	1194	498	713,40	764,60
11	1391	835	348	683,80	734,30	
	16	1957	1174	489	754,80	807,30
	21	2470	1482	618	786,30	840,50
11	1954	1172	489	807,80	861,00	
	16	2793	1676	698	904,50	959,60
	21	3429	2057	857	944,70	1001,70
11	2217	1330	554	843,20	898,60	
	16	3149	1889	787	953,20	1011,10
	21	3908	2345	977	1001,20	1061,30
11	2480	1488	620	906,80	967,10	
	16	3505	2103	876	1028,30	1091,00
	21	4388	2633	1097	1112,80	1177,70
11	3343	2006	836	1129,20	1192,00	
	16	4821	2893	1205	1294,70	1360,00
	21	5827	3496	1457	1394,00	1461,60

L H 059

063	10	732	362	382,30	436,30
	15	1169	583	412,10	467,90
	20	1633	814	442,30	499,80
083	10	965	478	418,20	475,40
	15	1541	769	457,30	516,50
	20	2152	1073	496,30	557,60
103	10	1197	592	451,10	511,50
	15	1912	954	498,00	560,50
	20	2670	1332	546,50	611,10
123	10	1429	707	479,40	542,90
	15	2283	1139	534,50	600,40
	20	3188	1590	590,60	659,10
143	10	1662	823	540,90	610,20
	15	2655	1324	603,40	675,30
	20	3707	1849	684,80	759,20
163	10	1894	937	584,10	656,80
	15	3026	1509	659,10	734,40
	20	4225	2107	755,00	833,00

11	935	449	455,90	510,00	
	16	1300	614	501,80	557,60
	21	1796	838	524,40	581,90
11	1231	591	508,00	565,20	
	16	1713	809	569,50	628,70
	21	2366	1104	600,50	661,70
11	1528	733	554,10	614,50	
	16	2126	1004	630,00	692,50
	21	2936	1370	670,30	734,90
11	1825	876	592,70	656,20	
	16	2539	1199	681,80	747,70
	21	3506	1636	729,80	798,20
11	2121	1018	664,10	733,50	
	16	2952	1395	765,80	837,60
	21	4076	1902	850,30	924,70
11	2418	1161	728,80	801,50	
	16	3364	1589	852,20	927,50
	21	4646	2168	951,40	1029,40

11	1235	741	309	670,20	724,30	
	16	1780	1068	445	726,90	782,70
	21	2276	1366	569	749,50	807,00
11	1531	919	383	722,30	779,50	
	16	2193	1316	548	794,60	853,80
	21	2846	1708	712	825,60	886,80
11	2128	1277	532	849,30	909,70	
	16	3086	1852	772	946,90	1009,40
	21	3896	2338	974	987,20	1051,80
11	2425	1455	606	888,00	951,40	
	16	3499	2099	875	998,70	1064,60
	21	4466	2680	1117	1046,60	1115,10
11	2721	1633	680	959,40	1028,70	
	16	3912	2347	978	1082,70	1154,50
	21	5036	3022	1259	1167,20	1241,60
11	3618	2171	905	1186,10	1258,70	
	16	5284	3170	1321	1352,70	1428,00
	21	6566	3940	1642	1451,90	1529,90

L H 074

063	10	805	401	416,20	476,20
	15	1266	637	447,60	509,70
	20	1766	888	479,30	543,30
083	10	1060	528	455,30	519,10
	15	1668	839	495,40	561,30
	20	2327	1171	537,00	605,10
103	10	1316	656	491,50	559,10
	15	2070	1041	539,60	609,50
	20	2888	1453	589,70	661,90
123	10	1572	784	523,50	595,00
	15	2472	1244	580,10	654,40
	20	3449	1735	638,10	714,90
143	10	1827	911	593,10	671,70
	15	2874	1446	656,70	737,80
	20	4010	2017	740,40	824,30
163	10	2083	1038	639,70	722,10
	15	3276	1648	715,80	801,10
	20	4570	2299	813,40	901,60

11	1025	492	489,80	549,80	
	16	1466	690	537,30	599,30
	21	2075	962	561,40	625,40
11	1350	648	545,10	608,90	
	16	1932	910	607,60	673,50
	21	2733	1267	641,00	709,20
11	1675	804	594,50	662,10	
	16	2397	1129	671,60	741,40
	21	3392	1572	713,50	785,70
11	2000	960	636,80	708,30	
	16	2862	1348	727,40	801,70
	21	4051	1878	777,20	854,00
11	2325	1116	716,50	795,10	
	16	3328	1567	819,10	900,30
	21	4709	2183	905,70	989,60
11	2651	1273	784,20	866,70	
	16	3793	1786	908,90	994,20
	21	5368	2488	1009,90	1098,00

11	1325	795	331	704,10	764,10	
	16	1946	1168	487	762,40	824,40
	21	2555	1533	639	786,60	850,50
11	1650	990	413	759,40	823,20	
	16	2412	1447	603	832,80	898,60
	21	3213	1928	803	866,10	934,30
11	2275	1365	569	889,80	957,30	
	16	3357	2014	839	988,50	1058,30
	21	4352	2611	1088	1030,40	1102,60
11	2600	1560	650	932,10	1003,50	
	16	3822	2293	956	1044,30	1118,60
	21	5011	3007	1253	1094,10	1170,90
11	2925	1755	731	1011,80	1090,30	
	16	4288	2573	1072	1136,00	1217,20
	21	5669	3401	1417	1222,60	1306,50
11	3851	2311	963	1241,50	1323,90	
	16	5713	3428	1428	1409,40	1494,70
	21	7288	4373	1822	1510,40	1598,50

EN442 output at 20°C room temperature

Maxi is also available in lengths 183 and 203 cm, see: www.theradiatorfactory.com

WALL MOUNTED MODEL - FRONT GRILLE - MAXI WF



MAXW.HHH LLL TT.XXX/WF/70

MAXW.HHH LLL TT.XXX/WF/70/DBE

STANDARD				
Type	Watts 75/65	Watts 55/45	€ st. colour	€ other

TWIN				
Type	Watts 75/65	Watts 55/45	€ st. colour	€ other

WITH DBE					
Type	Watts 75/65	Watts 55/45	Watts 35/30	€ st. colour	€ other

L H 044					
063	10	557	272	373,60	426,90
	15	834	410	405,20	460,70
	20	1111	546	437,40	495,00
083	10	734	359	406,40	462,20
	15	1098	539	446,60	504,80
	20	1464	719	489,00	549,60
103	10	911	446	435,50	493,90
	15	1363	669	484,70	545,60
	20	1817	893	536,70	600,10
123	10	1088	532	461,20	522,10
	15	1628	800	517,70	581,40
	20	2170	1066	576,30	642,70
143	10	1265	619	515,30	581,30
	15	1892	929	580,30	649,20
	20	2523	1240	666,90	739,00
163	10	1442	705	554,80	623,20
	15	2157	1059	632,90	704,70
	20	2875	1413	733,70	808,90

11	744	357	447,20	500,50	
	16	907	431	494,90	550,40
	21	1143	539	519,40	577,00
11	981	470	496,10	552,00	
	16	1195	568	558,80	617,10
	21	1506	710	593,00	653,60
11	1217	583	538,50	597,00	
	16	1483	705	616,80	677,70
	21	1869	881	660,30	723,80
11	1453	696	574,50	635,30	
	16	1771	841	665,00	728,70
	21	2232	1052	715,50	781,90
11	1690	810	638,70	704,60	
	16	2059	978	742,70	811,60
	21	2595	1223	832,20	904,40
11	1926	923	699,40	767,80	
	16	2347	1115	826,00	897,80
	21	2958	1395	930,20	1005,30

11	1044	626	261	661,50	714,80	
	16	1387	832	347	720,00	775,50
	21	1623	974	406	744,60	802,10
11	1281	769	320	710,40	766,30	
	16	1675	1005	419	783,90	842,20
	21	1986	1192	497	818,20	878,70
11	1817	1090	454	833,80	892,20	
	16	2443	1466	611	933,70	994,60
	21	2829	1697	707	977,20	1040,70
11	2053	1232	513	869,70	930,50	
	16	2731	1639	683	981,90	1045,60
	21	3192	1915	798	1032,40	1098,80
11	2290	1374	573	934,00	999,80	
	16	3019	1811	755	1059,60	1128,50
	21	3555	2133	889	1149,10	1221,30
11	3126	1876	782	1156,70	1225,00	
	16	4267	2560	1067	1326,60	1398,30
	21	4878	2927	1220	1430,70	1505,80

L H 059					
063	10	672	331	408,50	467,60
	15	990	491	441,30	502,90
	20	1300	644	473,70	537,50
083	10	885	436	444,20	506,60
	15	1304	646	486,00	551,10
	20	1713	849	528,40	596,00
103	10	1098	541	476,90	542,50
	15	1618	802	527,20	595,60
	20	2126	1054	579,10	650,10
123	10	1311	646	505,60	574,40
	15	1932	958	563,70	635,60
	20	2539	1258	622,80	697,60
143	10	1524	751	568,30	643,10
	15	2246	1113	634,80	713,00
	20	2952	1463	721,10	802,80
163	10	1738	856	611,00	689,00
	15	2561	1269	690,90	772,60
	20	3364	1667	791,40	876,70

11	866	415	482,10	541,30	
	16	1084	513	531,00	592,60
	21	1401	656	555,80	619,60
11	1141	547	533,90	596,40	
	16	1429	676	598,30	663,30
	21	1846	865	632,50	700,10
11	1416	679	579,90	645,50	
	16	1773	839	659,20	727,60
	21	2291	1073	702,90	773,90
11	1691	811	618,90	687,70	
	16	2117	1002	711,10	782,90
	21	2736	1282	761,90	836,70
11	1966	943	691,50	766,40	
	16	2462	1165	797,20	875,30
	21	3181	1491	886,60	968,30
11	2241	1075	755,70	833,70	
	16	2806	1328	884,00	965,70
	21	3626	1699	987,80	1073,10

11	1166	700	292	696,40	755,60	
	16	1564	938	391	756,10	817,70
	21	1881	1129	470	780,90	844,70
11	1441	865	360	748,20	810,70	
	16	1909	1145	477	823,40	888,40
	21	2326	1396	582	857,60	925,20
11	2016	1210	504	875,20	940,70	
	16	2733	1640	683	976,10	1044,50
	21	3251	1951	813	1019,80	1090,80
11	2291	1375	573	914,10	982,90	
	16	3077	1846	769	1028,00	1099,80
	21	3696	2218	924	1078,80	1153,60
11	2566	1540	642	986,80	1061,60	
	16	3422	2053	856	1114,10	1192,20
	21	4141	2485	1035	1203,50	1285,20
11	3441	2065	860	1213,00	1290,90	
	16	4726	2836	1182	1384,50	1466,20
	21	5546	3328	1387	1488,40	1573,60

L H 074					
063	10	758	376	442,30	507,40
	15	1100	550	476,40	544,10
	20	1461	731	510,50	580,70
083	10	999	496	481,50	550,50
	15	1450	725	524,70	596,50
	20	1925	963	568,50	642,90
103	10	1240	615	517,30	590,10
	15	1799	899	569,30	645,30
	20	2389	1195	622,40	701,30
123	10	1481	735	549,60	626,30
	15	2148	1074	608,80	688,70
	20	2853	1427	669,90	753,10
143	10	1722	854	620,00	703,90
	15	2498	1249	688,40	776,00
	20	3317	1659	776,70	867,90
163	10	1962	973	666,10	753,90
	15	2847	1423	747,70	839,30
	20	3781	1891	850,20	945,60

11	966	464	515,90	581,00	
	16	1244	587	566,10	633,70
	21	1648	767	592,60	662,80
11	1272	611	571,30	640,30	
	16	1639	774	636,90	708,70
	21	2171	1011	672,50	747,00
11	1579	758	620,30	693,10	
	16	2034	960	701,30	777,20
	21	2694	1255	746,20	825,10
11	1886	905	662,90	739,60	
	16	2429	1146	756,10	836,00
	21	3217	1498	809,00	892,20
11	2192	1052	743,40	827,30	
	16	2824	1333	850,80	938,50
	21	3740	1742	942,10	1033,20
11	2499	1199	810,70	898,50	
	16	3219	1519	940,80	1032,40
	21	4263	1985	1046,60	1142,00

11	1266	760	317	730,20	795,30	
	16	1724	1034	431	791,20	858,80
	21	2128	1277	532	817,70	887,90
11	1572	943	393	785,60	854,60	
	16	2119	1271	530	862,10	933,80
	21	2651	1591	663	897,60	972,10
11	2179	1307	545	915,60	988,30	
	16	2994	1796	749	1018,20	1094,10
	21	3654	2192	914	1063,10	1142,00
11	2486	1492	622	958,10	1034,80	
	16	3389	2033	847	1073,00	1152,90
	21	4177	2506	1044	1125,90	1209,10
11	2792	1675	698	1038,70	1122,50	
	16	3784	2270	946	1167,70	1255,40
	21	4700	2820	1175	1259,00	1350,10
11	3699	2219	925	1268,00	1355,70	
	16	5139	3083	1285	1441,30	1532,90
	21	6183	3710	1546	1547,20	1642,50

Maxi is also available in lengths 183 and 203 cm, see: www.theradiatorfactory.com

EN442 output at 20°C room temperature

MAXI FT - FLOOR MODEL - TOP AND FRONT GRILLE

MAXW.HHH LLL TT.XXX/FT/70

STANDARD				
Type	Watts 75/65	Watts 55/45	€ st. colour	€ other

TWIN				
Type	Watts 75/65	Watts 55/45	€ st. colour	€ other

MAXW.HHH LLL TT.XXX/FT/70/DBE

WITH DBE					
Type	Watts 75/65	Watts 55/45	Watts 35/30	€ st. colour	€ other

L H 044

063	10	511	249	354,20	403,60
	15	790	387	383,40	434,50
	20	1073	526	413,60	466,40
083	10	673	329	386,00	437,70
	15	1041	510	424,10	477,80
	20	1413	692	463,80	519,30
103	10	835	408	414,80	468,90
	15	1292	633	460,20	516,20
	20	1754	859	509,00	567,00
123	10	997	487	439,30	496,00
	15	1543	756	493,50	552,30
	20	2095	1026	549,20	610,00
143	10	1159	566	491,10	552,10
	15	1794	879	552,00	615,30
	20	2435	1193	633,80	699,30
163	10	1321	645	530,00	593,40
	15	2045	1002	603,80	669,70
	20	2776	1360	699,60	767,80

11	696	334	427,80	477,20	
	16	864	411	473,00	524,20
	21	1099	519	495,60	548,40
11	917	439	475,80	527,50	
	16	1138	541	536,30	590,10
	21	1447	684	567,80	623,30
11	1138	545	517,80	572,00	
	16	1412	671	592,30	648,30
	21	1796	849	632,70	690,70
11	1359	651	552,60	609,20	
	16	1686	802	640,80	699,60
	21	2145	1014	688,30	749,20
11	1580	757	614,50	675,40	
	16	1960	932	714,30	777,70
	21	2493	1178	799,20	864,70
11	1801	863	674,60	738,00	
	16	2235	1063	796,80	862,80
	21	2842	1343	896,10	964,20

11	996	598	249	642,10	691,50	
	16	1344	806	336	698,10	749,30
	21	1579	947	395	720,70	773,50
11	1217	730	304	690,10	741,80	
	16	1618	971	405	761,50	815,20
	21	1927	1156	482	793,00	848,40
11	1738	1043	435	813,00	867,20	
	16	2372	1423	593	909,20	965,20
	21	2756	1654	689	949,60	1007,60
11	1959	1175	490	847,90	904,40	
	16	2646	1588	662	957,70	1016,50
	21	3105	1863	776	1005,20	1066,10
11	2180	1308	545	909,70	970,60	
	16	2920	1752	730	1031,20	1094,60
	21	3453	2072	863	1116,00	1181,60
11	3001	1801	750	1131,90	1195,20	
	16	4155	2493	1039	1297,40	1363,30
	21	4762	2857	1191	1396,60	1464,70

L H 059

063	10	637	313	388,90	444,20
	15	970	479	419,40	476,50
	20	1314	649	449,40	508,50
083	10	840	413	424,30	482,70
	15	1278	632	463,50	524,00
	20	1731	855	502,60	565,10
103	10	1042	512	456,10	517,50
	15	1586	784	503,20	566,60
	20	2148	1061	551,70	617,30
123	10	1244	611	483,90	548,30
	15	1894	936	539,30	606,20
	20	2565	1267	595,80	665,20
143	10	1447	711	544,00	614,00
	15	2202	1088	606,50	679,10
	20	2982	1474	688,50	763,60
163	10	1649	810	586,20	659,30
	15	2510	1240	661,20	736,90
	20	3399	1680	757,10	835,50

11	828	397	462,50	517,90	
	16	1056	500	509,00	566,20
	21	1377	647	531,50	590,60
11	1091	523	514,10	572,50	
	16	1391	659	575,70	636,20
	21	1814	852	606,80	669,20
11	1354	649	559,10	620,50	
	16	1726	818	635,10	698,60
	21	2251	1057	675,50	741,10
11	1617	775	597,20	661,60	
	16	2061	977	686,60	753,50
	21	2688	1262	734,90	804,30
11	1880	901	667,30	737,30	
	16	2396	1135	768,80	841,40
	21	3125	1467	854,00	929,10
11	2143	1027	730,90	804,00	
	16	2731	1294	854,30	930,00
	21	3562	1672	953,50	1031,90

11	1128	677	282	676,80	732,20	
	16	1536	922	384	734,20	791,30
	21	1857	1114	464	756,60	815,70
11	1391	835	348	728,40	786,80	
	16	1871	1123	468	800,80	861,30
	21	2294	1376	574	831,90	894,30
11	1954	1172	489	854,40	915,70	
	16	2686	1612	672	952,00	1015,50
	21	3211	1927	803	992,40	1058,00
11	2217	1330	554	892,50	956,80	
	16	3021	1813	755	1003,50	1070,40
	21	3648	2189	912	1051,80	1121,20
11	2480	1488	620	962,50	1032,50	
	16	3356	2014	839	1085,70	1158,30
	21	4085	2451	1021	1170,90	1246,00
11	3343	2006	836	1188,20	1261,20	
	16	4651	2791	1163	1354,80	1430,50
	21	5482	3289	1371	1454,00	1532,40

L H 074

063	10	732	362	422,90	484,30
	15	1097	547	454,20	517,60
	20	1484	740	485,80	551,20
083	10	965	478	461,70	526,80
	15	1446	721	501,60	568,80
	20	1956	975	542,70	612,10
103	10	1197	592	496,50	565,10
	15	1794	895	545,40	616,50
	20	2427	1210	595,40	668,80
123	10	1429	707	527,80	600,20
	15	2142	1068	584,60	659,80
	20	2898	1445	642,10	719,70
143	10	1662	823	595,90	674,90
	15	2491	1242	659,70	741,50
	20	3370	1681	743,60	828,20
163	10	1894	937	641,40	724,20
	15	2839	1416	718,20	803,90
	20	3841	1916	816,20	904,80

11	935	449	496,50	557,90	
	16	1225	579	543,90	607,20
	21	1637	764	567,90	633,30
11	1231	591	551,50	616,60	
	16	1613	762	613,80	681,00
	21	2156	1006	646,80	716,20
11	1528	733	599,60	668,10	
	16	2002	946	677,40	748,40
	21	2676	1249	719,10	792,60
11	1825	876	641,10	713,50	
	16	2391	1130	732,00	807,10
	21	3196	1491	781,20	858,80
11	2121	1018	719,30	798,30	
	16	2779	1313	822,20	904,00
	21	3715	1734	909,00	993,50
11	2418	1161	786,00	868,80	
	16	3168	1497	911,30	997,00
	21	4235	1976	1012,60	1101,20

11	1235	741	309	710,90	772,20	
	16	1705	1023	426	769,00	832,30
	21	2117	1270	529	793,10	858,40
11	1531	919	383	765,80	830,90	
	16	2093	1256	523	839,00	906,10
	21	2636	1582	659	871,90	941,30
11	2128	1277	532	894,80	963,30	
	16	2962	1777	741	994,20	1065,30
	21	3636	2182	909	1036,00	1109,50
11	2425	1455	606	936,40	1008,70	
	16	3351	2011	838	1048,80	1124,00
	21	4156	2494	1039	1098,10	1175,70
11	2721	1633	680	1014,50	1093,50	
	16	3739	2243	935	1139,00	1220,90
	21	4675	2805	1169	1225,90	1310,40
11	3618	2171	905	1243,30	1326,00	
	16	5088	3053	1272	1411,80	1497,50
	21	6155	3693	1539	1513,20	1601,70

EN442 output at 20°C room temperature

Maxi is also available in lengths 183 and 203 cm, see: www.theradiatorfactory.com

Jaga International - Verbindingslaan z/n - B-3590 Diepenbeek
T: +32 11 29 41 16 - F: +32 11 29 41 60 - export@jaga.be

WWW.
THE RADIATORFACTORY
.COM

WWW.JAGAEXPERIENCELAB.COM

your partner: