



IGUANA CIRCO FREESTANDING

A child's drawing of the sun.

Inspired by a child's drawing, the Iguana Circo is an interpretation of the brightly shining sun, transformed into a fully functional work of art. Iguana has the essential, natural yet light hearted touch that creates a feeling of real warmth in its modern design. It's heating straight from the soul. Iguana Circo was the first "sun radiator". Available as a wall model, freestanding or to assemble around architectural columns.



Top 10
Design
Award
Winner
2000

ISH 1999
DESIGN PLUS
Good history. Best.

IGUANA CIRCO FREESTANDING traffic white 333





*Eye
catchers*

From design to art

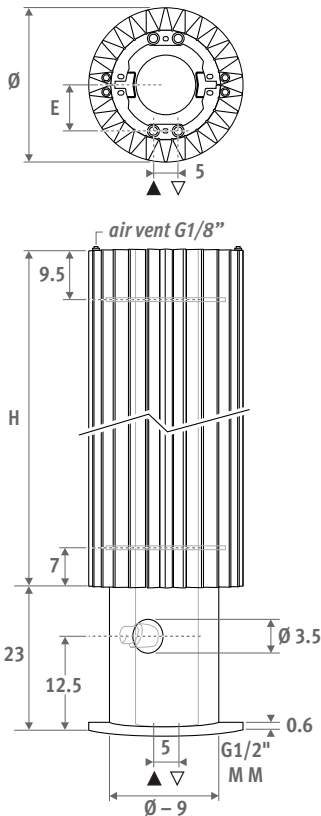
IGUANA CIRCO FREESTANDING

IGUANA CIRCO

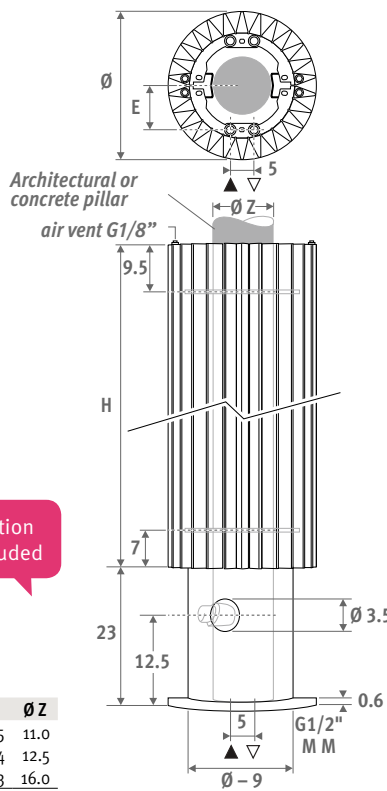


DIMENSIONS (in cm)

FREESTANDING



PILLAR COVER



Connection set included

Ø	E	Ø Z
27.8	7.5	11.0
31.3	9.4	12.5
34.8	11.3	16.0

DELIVERY

Connection set with thermostatic valve, lockshield, 4 chrome-plated air vents G1/8" and sleeve couplings M24 included.

Circo freestanding:

- Iguana Circo in 2 parts, to be mounted around the suspension column, including all parts for hydraulic connection
- support with suspension column and guards with opening for the TRV head

Circo pillar cover:

- Iguana Circo in 2 parts, including all parts for hydraulic connection and guards with opening for the TRV head
- suspension brackets for mounting around column

COLOURS

Environmentally friendly, scratch-resistant, high UV resistant powder coating.

Standard colours:

- traffic white RAL 9016 (333), smooth satin matt
 - sandblast grey (001), fine texture metallic
- Other colours: see colour chart

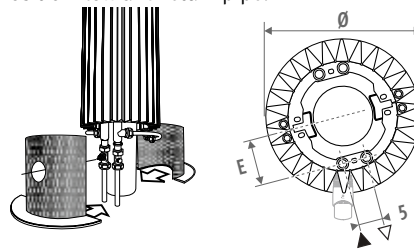
CONNECTION

To guarantee the output of the Iguana models and to limit the pressure drop, Jaga recommends the use of 15/1 minimum diameter pipes.

Central connection

The opening for the TRV head in the guard is on the left /CL. If a right hand flow is required please amend the code suffix using /CR.

Position flow and return pipe.



Sleeve couplings M24

see "Connection sets and Valves" (included in the price).

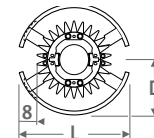
Thermostatic head

(not included in the price).

CODE		€
5090.1124	stainless steel effect	63,90
5090.1111	chrome-plated	38,90
5090.1110	white	25,50

OPTIONS

Towel rail / hat rack in chrome-plated aluminium

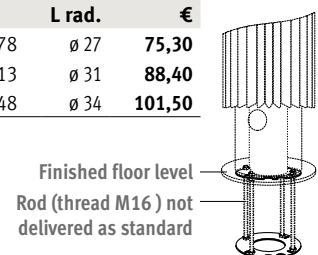


Hat rack consists of a towel rail and 5 coat hooks

CODE	L rad.	L	D	€/P.
Towel rail				
9087.013427	Ø 27	43	22	208,40
9087.013427	Ø 31	43	22	208,40
9087.013493	Ø 34	49	25	208,40
Hat rack				
9087.014427	Ø 27	43	22	240,10
9087.014427	Ø 31	43	22	240,10
9087.014493	Ø 34	49	25	240,10

Foot for Circo freestanding in concrete floor

CODE	L rad.	€
9086.000278	Ø 27	75,30
9086.000313	Ø 31	88,40
9086.000348	Ø 34	101,50



PILLAR COVER FREESTANDING



code	height	length	colour	conn.
CIRP . 180 027 . XXX /XX				
fill in colour code		CL or CR		

code	height	length	colour	conn.
CIRF . 180 027 . XXX /XX				
fill in colour code		CL or CR		

	Watts 75/65	Watts 55/45	€ st. colour	€ other
L H 180				
027	1602	769	1559,30	1871,10
031	1893	909	1739,10	2086,90
034	2184	1049	1921,40	2305,70
L H 192				
027	1707	827	1598,40	1918,10
031	2018	978	1785,90	2143,10
034	2328	1128	1974,30	2369,10
L H 200				
027	1773	865	1622,00	1946,50
031	2096	1022	1814,60	2177,50
034	2418	1179	2007,00	2408,20
L H 220				
027	1923	953	1684,90	2021,80
031	2272	1126	1886,40	2263,70
034	2622	1299	2091,20	2509,40
L H 240				
027	2048	1030	1746,50	2095,80
031	2421	1218	1960,90	2353,10
034	2793	1405	2177,20	2612,50

	Watts 75/65	Watts 55/45	€ st. colour	€ other
L H 180				
027	1602	769	1680,30	2016,30
031	1893	909	1894,80	2273,70
034	2184	1049	2134,10	2560,80
L H 192				
027	1707	827	1719,70	2063,70
031	2018	978	1941,00	2329,30
034	2328	1128	2187,20	2624,60
L H 200				
027	1773	865	1742,50	2091,00
031	2096	1022	1969,70	2363,60
034	2418	1179	2219,80	2663,90
L H 220				
027	1923	953	1805,30	2166,30
031	2272	1126	2042,30	2450,80
034	2622	1299	2304,20	2764,90
L H 240				
027	2048	1030	1867,10	2240,60
031	2421	1218	2116,10	2539,40
034	2793	1405	2389,90	2867,90

EN442 output at 20°C room temperature

